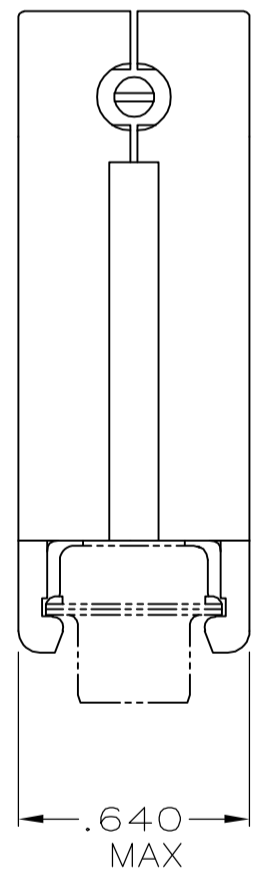
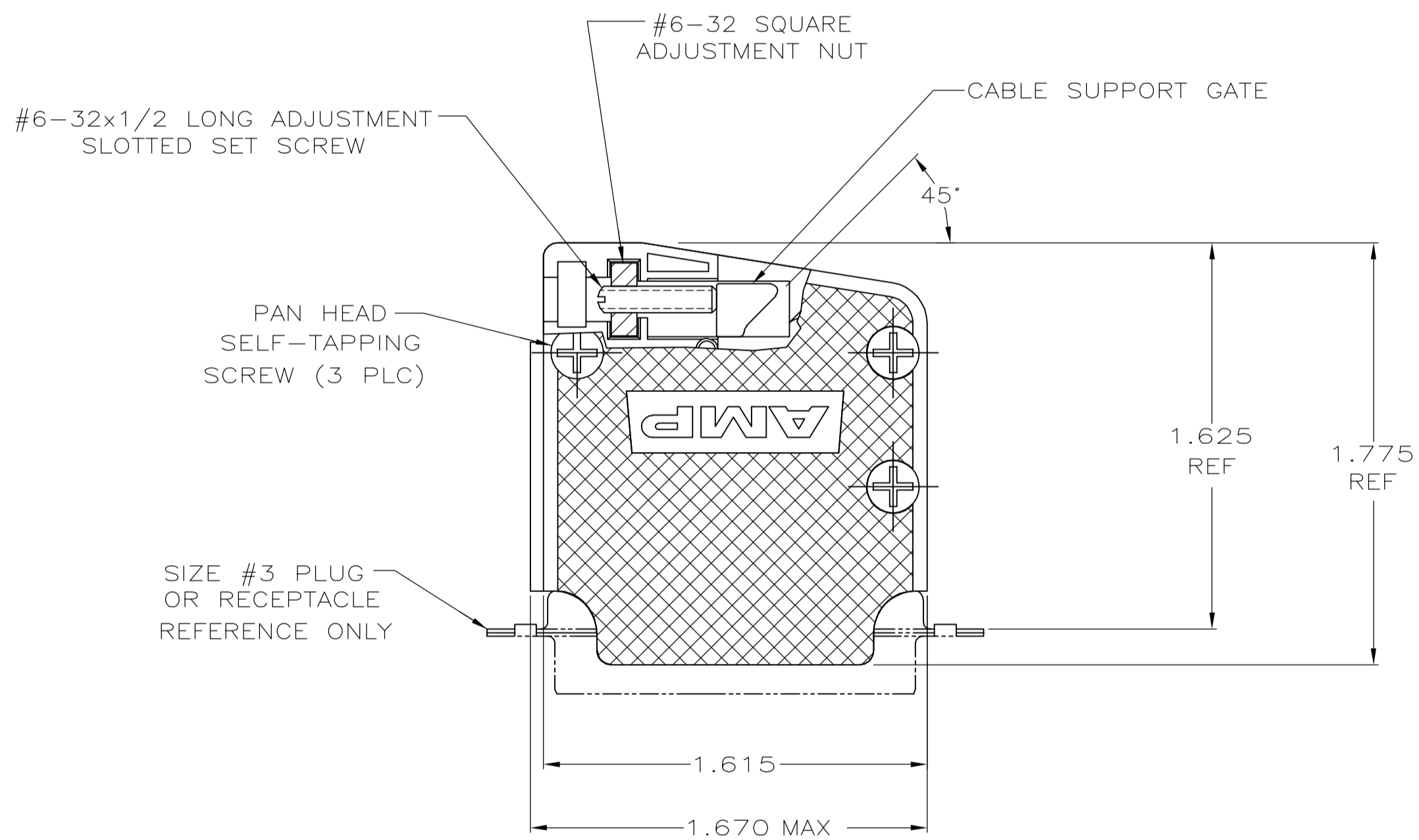
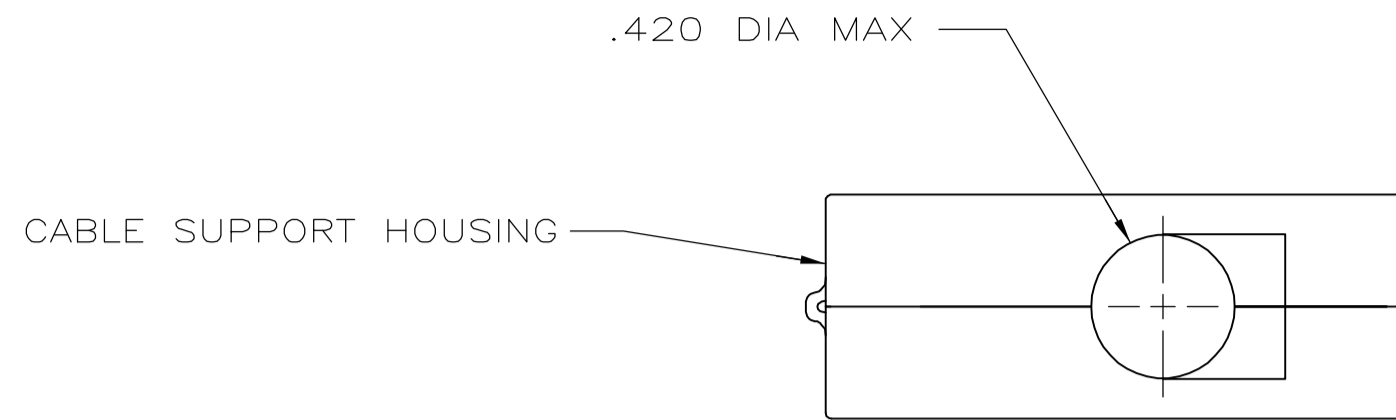


THIS DRAWING IS UNPUBLISHED. RELEASED FOR PUBLICATION
 © COPYRIGHT BY TYCO ELECTRONICS CORPORATION. ALL RIGHTS RESERVED.

LOC	DIST	REVISIONS			
P	LTR	DESCRIPTION	DATE	DWN	APVD
GP	00	0	RELEASED PER EC 0S13-0221-05	22AUG05	RR JG



- ① PARTS PACKAGED UNASSEMBLED AS A UNIT KIT.
- ② PARTS INDIVIDUALLY BULK PACKAGED & SHIPPED AS A UNIT PACKAGE KIT.
- ③ MOLDED PARTS: BLACK POLYPROPYLENE. HARDWARE: COLD ROLLED STEEL.
- ④ HARDWARE: ZINC PLATED CLEAR CHROMATE COATING.

**COPYRIGHT 2005
 TYCO ELECTRONICS CORP
 ALL RIGHTS RESERVED**

②	5205718-4
①	5205718-1
PACKAGING	PART NO

THIS DRAWING IS A CONTROLLED DOCUMENT.		DWN R.RICHARDSON 22AUG05	tyco Tyco Electronics Corporation	
DIMENSIONS: INCHES		CHK C.ROHDE 22AUG05	Harrisburg, Pa 17105-3608	
TOLERANCES UNLESS OTHERWISE SPECIFIED:		APVD M.WALMSLEY 22AUG05	NAME	
0 PLC ± -	1 PLC ± -	PRODUCT SPEC	SELF TAPPED 45°/180° CAB	
2 PLC ± -	3 PLC ± .005	APPLICATION SPEC	SUPPORT CLAMSHELL , SIZE	
4 PLC ± -	ANGLES ± 0°30"	WEIGHT -	SIZE A2	CAGE CODE 00779
MATERIAL ③	FINISH ④	CUSTOMER DRAWING	DRAWING NO C=5205718	RESTRICTED TO -
			SCALE 2:1	SHEET 1 OF 1
			REV 0	

5205718